

## Double Ended Beam Load Cell



### FEATURES

- Capacities: 10K to 125Klb
- Environmental protection: IP67 (DIN 40.050)
- Material: stainless steel
- Certified by NTEP class IIIIL, 10000 divisions

### OPTIONAL FEATURES

- FM certified for use in potentially explosive atmosphere

### APPLICATIONS

- Silos, tanks and hoppers
- Weighbridges

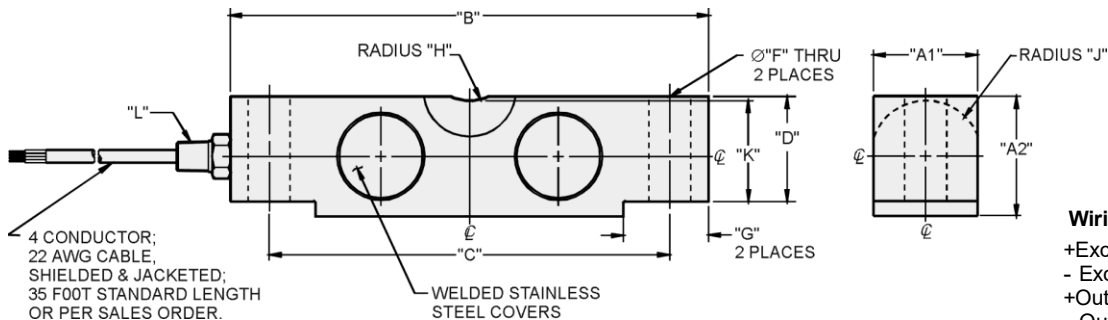
### DESCRIPTION

The 9303 is a link loaded stainless steel Double Ended Shear Beam type load cell, specifically designed for truck scales, track scales and high capacity weighing applications.

A reliable sealing and mechanical protection of the strain gage area is ensured by the use of potting compound with a metal cover.

This load cell is rated intrinsically safe by the FM system, making it suitable for use in potentially explosive atmosphere.

### OUTLINE DIMENSIONS in inches



**Wiring**

+Excitation	Red
- Excitation	Black
+Output	Green
- Output	White

CAPACITY	A1	A2	B	C	D	F	G	H	J	K	L
10K - 25K	1.69	1.94	7.75	6.50	1.70	0.68	1.38	0.75	0.90	1.63	1/4-18 NPT
40K	1.94	2.44	10.25	8.50	2.10	0.81	1.93	1.00	1.12	2.00	1/4-18 NPT
50K - 125K	2.44	2.94	10.25	8.50	2.65	1.06	1.93	1.00	1.37	2.54	1/2-14 NPT

Capacities are in pounds.

SPECIFICATIONS			
PARAMETER	VALUE		UNIT
Standard capacities ( $E_{max}$ )	10K, 15K, 20K, 25K, 30K, 40K, 50K, 60K, 75K, 125K <sup>(1)</sup>		lbs
Accuracy class according to NTEP	NTEP IIII	Non-Approved	
Maximum no. of verification intervals (nlc)	10000		
Rated output (=S)	3		mV/V
Rated output tolerance	0.0075		±mV/V
Zero balance	1.0		±% FSO
Combined error	0.0200	0.0300	±% FSO
Temperature effect on zero	0.0010	0.0015	±% FSO/5°C (°F)
Temperature effect on output	0.0008	0.0008	±% FSO/5°F (°C)
Compensated temperature range	-10 to +40 (+14 to +104)		°C (°F)
Operating temperature range	-18 to +65 (0 to +150)		°C (°F)
Safe load limit	150		% $E_{max}$
Ultimate load	300		% $E_{max}$
Safe side load limit	100		% $E_{max}$
Excitation voltage recommended	10		V
Excitation voltage maximum	15		V
Input resistance	700±14		Ω
Output resistance	697±4		Ω
Insulation resistance	≥1000		MΩ
Environmental protection	IP67		
Element material	Stainless steel		

**Notes**

<sup>(1)</sup> 10K is not approved by NTEP

FSO - Full Scale Output

**Mounting:**

Correct mounting of the load cells is essential to ensure optimum accuracy and performance. Further information is available upon request.

No mounts available for 9303.

## Disclaimer

All product specifications and data are subject to change without notice.

Vishay Precision Group, Inc., its affiliates, agents, and employees, and all persons acting on its or their behalf (collectively, "Vishay Precision Group"), disclaim any and all liability for any errors, inaccuracies or incompleteness contained herein or in any other disclosure relating to any product.

Vishay Precision Group disclaims any and all liability arising out of the use or application of any product described herein or of any information provided herein to the maximum extent permitted by law. The product specifications do not expand or otherwise modify Vishay Precision Group's terms and conditions of purchase, including but not limited to the warranty expressed therein, which apply to these products.

No license, express or implied, by estoppel or otherwise, to any intellectual property rights is granted by this document or by any conduct of Vishay Precision Group.

The products shown herein are not designed for use in medical, life-saving, or life-sustaining applications unless otherwise expressly indicated. Customers using or selling Vishay Precision Group products not expressly indicated for use in such applications do so entirely at their own risk and agree to fully indemnify Vishay Precision Group for any damages arising or resulting from such use or sale. Please contact authorized Vishay Precision Group personnel to obtain written terms and conditions regarding products designed for such applications.

Product names and markings noted herein may be trademarks of their respective owners.