



NP3

Product Details

Pressure Transducer Stainless Steel Force Sensor NP3

The NP3 is an Oil Forced Pressure Transducer. With a special purpose for testing force, the stainless steel force sensor is suitable for Force measurement, Fork Lift Truck scale, Industrial weighing scale, Automation weighing systems.

Item NO.: NP3

- Product Origin: China
- Capacities: 100-500kgf/cm²
- Material: Stainless Steel / steel alloy
- Dimension: $\phi 25 \times 60$ mm
- Rated Output: 1.0mV/V
- Protection Class: IP67 / IP68

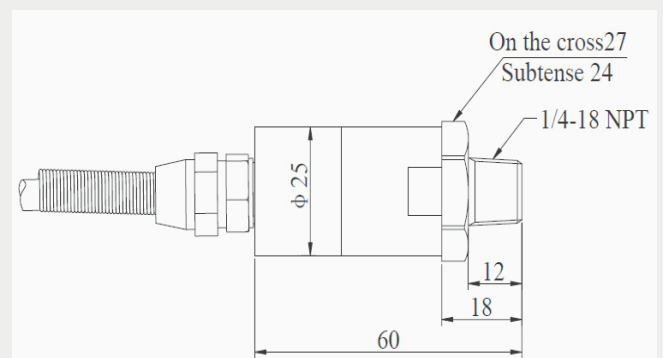
Key Features

Low profile
 Stainless Steel / steel alloy Construction
 Capacity: 100 ,200 ,350 ,500 (kgf / cm²)
 Accuracy:0.2%R.O.
 Protection class:IP67/PI68
 Rated Output: 1.0 mV/V \pm 1%

Usage & Applications:

Pressure transducer
 Force measurement
 Fork Lift Truck
 Industrial weighing system

Dimension



NP3 Specification

Rated Capacities	100, 200, 350, 500 (kgf / cm ²)
Rated Output	1.0 mV/V±1%
Zero Balance	±0.0200 mV/V
Non-linearity	0.02 %R.O.
Hysteresis	0.02 %R.O.
Repeatability	0.02 %R.O.
30mins Creep	0.02 %R.O.
30mins Return	0.02 %R.O.
Safe Overload	150 %R.O.
Ultimate Overload	200 %R.O.
Temperature Effect On Output	0.002 %R.O./°C
Temperature Effect On Zero	0.003 %R.O./°C
Input Impedance	390±15 Ω
Output Impedance	350±5 Ω
Insulation Impedance	≥5000 MΩ/(50VDC)
Recommended Excitation	5~12 VDC
Maximum Excitation	15 VDC
OperatingTemperatureRange	-20~60 °C
Construction	Steel Alloy; Stainless Steel
Protection Class	IP67 / IP68
Cable	φ5×1.8 m
Recommended Platform Size	
Mode of Connection	Red (EXC+), Black (EXC-), Green (SIG+), White SIG-