



NB3

Product Details

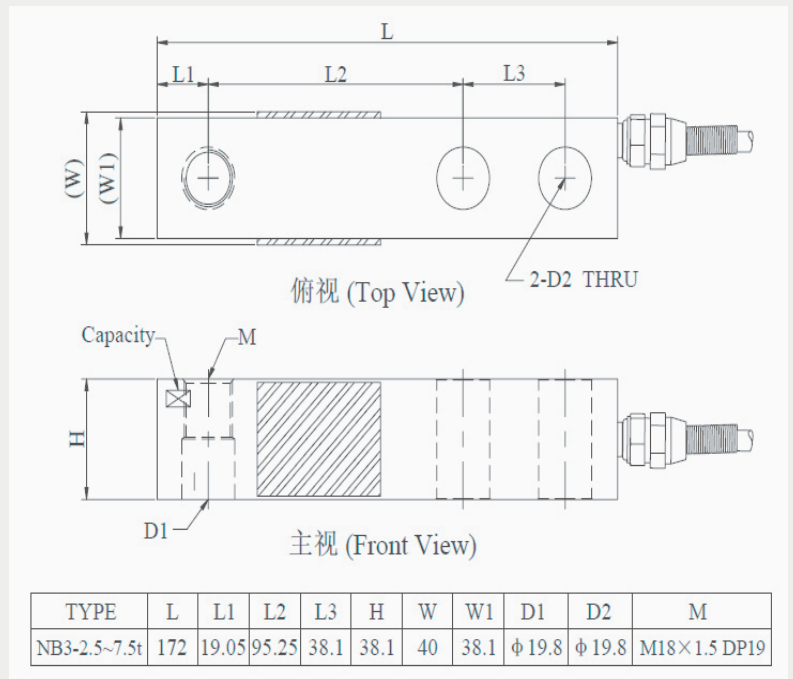
Floor Scale Beam Load Cell 2.5-7.5t NB3

NB3 is one of popular **Single Ended Shear Beam load cell** for applications such as industrial floor scales, barrel scales, and low to medium capacity vessel weighing. The **floor scale load cells** are available in a range of environmental sealing up to IP67.

Item NO.:NB3

- Product Origin: China
- Capacities: 2.5 – 7.5T
- Material: Steel Alloy
- Dimension: 172*42*38.1 mm
- Rated Output: 2.0 or 3.0mV/V
- Protection Class: IP67 / IP68

Dimension



Key Features

Environmentally sealed by potting
 Alloy steel construction
 Capacity: 2.5–7.5 t

Usage & Applications:

Hopper scales
 Truck scales
 Industrial weighing system

NB3 Specification

Rated Capacities	2.5 ,3 ,5 ,7.5 (t)
Rated Output	2.0 mV/V \pm 0.15% ; 3.0 mV/V \pm 0.15%
Zero Balance	\pm 0.0200 mV/V
Non-linearity	0.03 %R.O.
Hysteresis	0.03 %R.O.
Repeatability	0.03 %R.O.
30mins Creep	0.03 %R.O.
30mins Return	0.03 %R.O.
Safe Overload	150 %R.O.
Ultimate Overload	200 %R.O.
Temperature Effect On Output	0.002 %R.O./ $^{\circ}$ C
Temperature Effect On Zero	0.003 %R.O./ $^{\circ}$ C
Input Impedance	390 \pm 15 Ω
Output Impedance	350 \pm 5 Ω
Insulation Impedance	\geq 5000 M Ω /(50VDC)
Recommended Excitation	5~12 VDC
Maximum Excitation	15 VDC
OperatingTemperatureRange	-20~60 $^{\circ}$ C
Construction	Steel Alloy
Protection Class	IP67 / IP68
Cable	ϕ 5 \times 6 m
Recommended Platform Size	
Mode of Connection	Red (EXC+), Black (EXC-), Green (SIG+),White SIG-