



NB2

Product Details

Shear Beam Load Cell For Floor Scale NB2

NB2 **shear beam load cells** are designed specifically for high accuracy applications in tank and vessel weighing, filling systems, platform scales, bagging machinery, belt scales and conveyor systems. Our **mavin single end beam load cell** could completely be matched to Toledo load cell, Zemic load cell or Keli load cell.

Item NO.:NB2

- Product Origin: China
- Capacities: 100 – 3000KG
- Material: Steel Alloy
- Dimension: 130*35.5*31.3mm
- Rated Output: 2.0 or 3.0mV/V
- Protection Class: IP67 / IP68

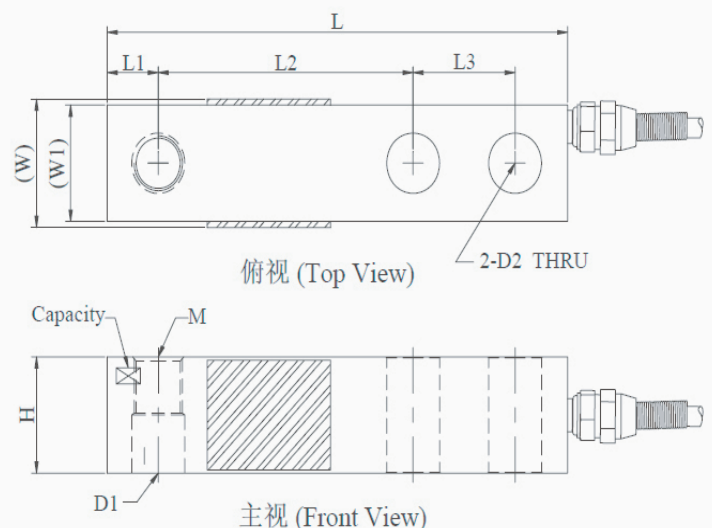
Key Features

Available in stainless steel, nickle plated steel alloy and anodised aluminum alloy
Capacity: 100–3000 KG
Easy to install, stable & reliable
Rated output: 2.0 or 3.0mV/V

Usage & Applications:

Hopper scales
Truck scales
Tension control and machine testing
Industrial weighing system

Dimension



TYPE	L	L1	L2	L3	H	W	W1	D1	D2	M
NB2-0.1~3t	130	12.7	76.2	25.4	31.3	33.5	31.3	φ 13.5 或 φ 16.5	φ 13.5	M12×1.75 DP15.9 或 M16×1.5 DP15.9

NB2 Specification

Rated Capacities	0.1 ,0.2 ,0.3 ,0.5 ,1 ,1.5 ,2 ,2.5 ,3(t)
Rated Output	2.0 mV/V \pm 0.25% ; 3.0 mV/V \pm 0.15%
Zero Balance	\pm 0.0200 mV/V
Non-linearity	0.03 %R.O.
Hysteresis	0.03 %R.O.
Repeatability	0.03 %R.O.
30mins Creep	0.03 %R.O.
30mins Return	0.03 %R.O.
Safe Overload	150 %R.O.
Ultimate Overload	200 %R.O.
Temperature Effect On Output	0.002 %R.O./ $^{\circ}$ C
Temperature Effect On Zero	0.003 %R.O./ $^{\circ}$ C
Input Impedance	390 \pm 15 Ω
Output Impedance	350 \pm 5 Ω
Insulation Impedance	\geq 5000 M Ω /(50VDC)
Recommended Excitation	5~12 VDC
Maximum Excitation	15 VDC
OperatingTemperatureRange	-20~60 $^{\circ}$ C
Construction	Steel Alloy
Protection Class	IP67 / IP68
Cable	ϕ 5 \times 3 m(NB2)
Recommended Platform Size	
Mode of Connection	Red (EXC+), Black (EXC-), Green (SIG+),White SIG-