

Miniature Double-Ended Beam

FEATURES

- Capacities: 10–40 t
- High side load tolerance
- Electroless nickel-plated alloy tool steel

APPLICATIONS

- Truck/rail scales
- Silo/hopper/tank weighing

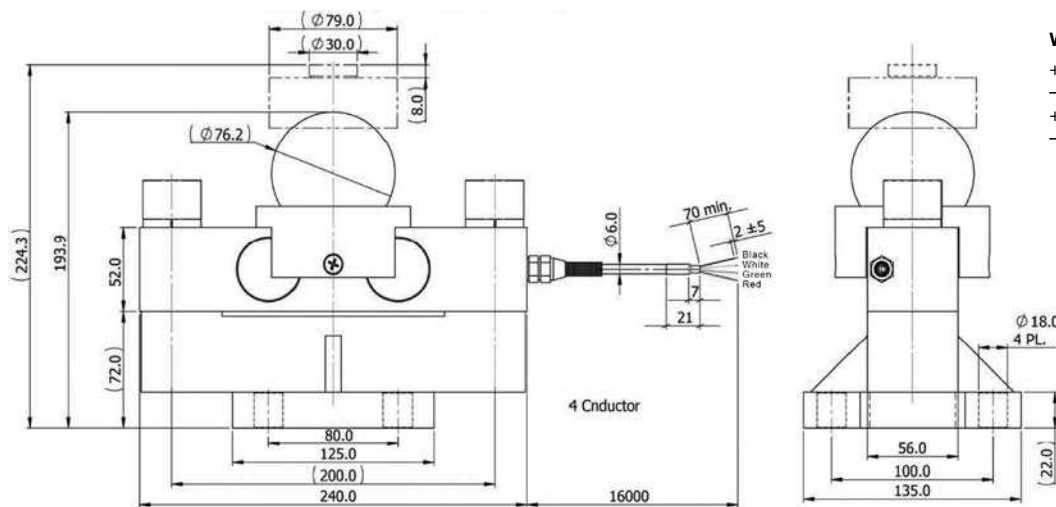
DESCRIPTION

The Model MDB2 is designed for truck and rail scales in high capacities with low profile. The design of loading through a ball is insensitive to side load.

The Model MDB2 is constructed of alloy steel and is hermetically-sealed to IP68 providing excellent protection against water and moisture attack. MDB2 can work well in corrosive and wash-down environments.



OUTLINE DIMENSIONS



Wiring diagram:

+ Excitation	Red
- Excitation	Black
+ Signal	Green
- Signal	White

Miniature Double-Ended Beam

SPECIFICATIONS		
PARAMETER	VALUE	UNIT
NTEP/OIML accuracy class	Non-Approved	
$Y = E_{max}/V_{min}$	7000	Maximum available
Standard capacities (E_{max})	10000, 20000, 25000, 30000, 40000	kg
Rated output—R.O.	2.0	mV/V
Rated output tolerance	0.1	±% of rated output
Zero balance	1	±% of rated output
Non-linearity	0.020	±% of rated output
Hysteresis	0.020	±% of rated output
Non-repeatability	0.010	±% of rated output
Creep error (30 minutes)	0.020	±% of rated output
Zero return (30 minutes)	0.02	±% of rated output
Temperature effect on min. dead load output	0.02	±% of rated output/10°C
Temperature effect on sensitivity	0.02	±% of applied load/10°C
Compensated temperature range	-10 to +40	°C
Operating temperature range	-20 to +70	°C
Safe overload	150	% of R.C.
Ultimate overload	200	% of R.C.
Excitation, recommended	5-15	VDC or VAC RMS
Input impedance	775±5	Ω
Output impedance	702±2	Ω
Insulation resistance	>3000	MΩ
Cable length	16	m
Construction	Alloy steel, welded seal	
Environmental protection	IP68	

All specifications subject to change without notice.

www.ingematic.net

Disclaimer

ALL PRODUCTS, PRODUCT SPECIFICATIONS AND DATA ARE SUBJECT TO CHANGE WITHOUT NOTICE.

Vishay Precision Group, Inc., its affiliates, agents, and employees, and all persons acting on its or their behalf (collectively, "VPG"), disclaim any and all liability for any errors, inaccuracies or incompleteness contained herein or in any other disclosure relating to any product.

The product specifications do not expand or otherwise modify VPG's terms and conditions of purchase, including but not limited to, the warranty expressed therein.

VPG makes no warranty, representation or guarantee other than as set forth in the terms and conditions of purchase. **To the maximum extent permitted by applicable law, VPG disclaims (i) any and all liability arising out of the application or use of any product, (ii) any and all liability, including without limitation special, consequential or incidental damages, and (iii) any and all implied warranties, including warranties of fitness for particular purpose, non-infringement and merchantability.**

Information provided in datasheets and/or specifications may vary from actual results in different applications and performance may vary over time. Statements regarding the suitability of products for certain types of applications are based on VPG's knowledge of typical requirements that are often placed on VPG products. It is the customer's responsibility to validate that a particular product with the properties described in the product specification is suitable for use in a particular application. You should ensure you have the current version of the relevant information by contacting VPG prior to performing installation or use of the product, such as on our website at vpgsensors.com.

No license, express, implied, or otherwise, to any intellectual property rights is granted by this document, or by any conduct of VPG.

The products shown herein are not designed for use in life-saving or life-sustaining applications unless otherwise expressly indicated. Customers using or selling VPG products not expressly indicated for use in such applications do so entirely at their own risk and agree to fully indemnify VPG for any damages arising or resulting from such use or sale. Please contact authorized VPG personnel to obtain written terms and conditions regarding products designed for such applications.

Product names and markings noted herein may be trademarks of their respective owners.

Copyright Vishay Precision Group, Inc., 2014. All rights reserved.