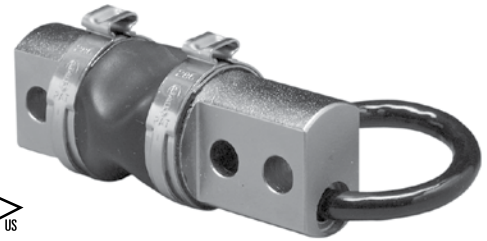


Low Profile Bending Beam

FEATURES

- Rated capacities of 25 to 500 pounds
- Tension or compression loading capabilities
- Compact, low profile design
- *Sensorgage™* sealed to IP65 standards
- Factory Mutual System Approved for Classes I, II, III; Divisions 1 and 2; Groups A through G. Also, non-incendive ratings (No barriers!)
- **Optional**
 - Companion tank weighing assemblies available (Model 65059-TWA)



APPLICATIONS

- Bin and hopper weighing
- Belt conveyor scales
- Netweighing

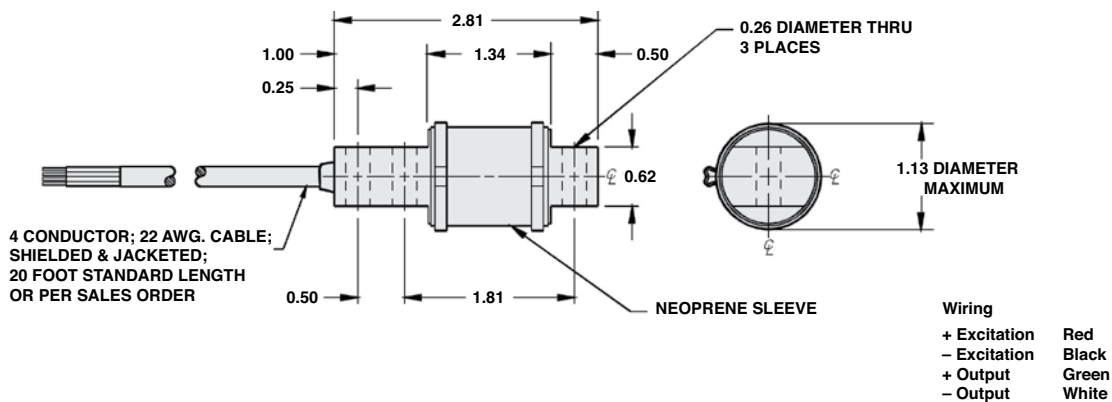
DESCRIPTION

The Model 60040 is a compact, low capacity, alloy-steel, high-precision bending-beam load cell.

This product's small size and accuracy makes it ideal for applications that demand high performance from a small package. This load cell is commonly used in platform scales, conveyor scales, and varied process weighing applications.

This product is rated intrinsically safe by the Factory Mutual System (FM); making it suitable for use in potentially explosive environments. A mounting accessory, the Model 65059-TWA, is available for the Model 60048.

OUTLINE DIMENSIONS in inches



Low Profile Bending Beam

| SPECIFICATIONS | | |
|---|----------------------------|----------------|
| PARAMETER | VALUE | UNIT |
| Rated capacity—R.C. (E _{max}) | 25, 50, 100, 150, 250, 500 | lbs |
| NTEP/OIML accuracy class | Standard | |
| Maximum no. of intervals (n) | – | |
| Rated output—R.O. | 2.0 | mV/V |
| Rated output tolerance | +0.25 to -10 | ±% mV/V |
| Zero balance | 1.0 | ±% FSO |
| Combined error | 0.03 | ±% FSO |
| Non-repeatability | 0.01 | ±% FSO |
| Creep error (20 minutes) | 0.03 | ±% FSO |
| Temperature effect on zero | 0.0015 | ±% FSO/°F |
| Temperature effect on output | 0.0008 | ±% of load/°F |
| Compensated temperature range | 14 to 104 (-10 to 40) | °F (°C) |
| Operating temperature range | 0 to 150 (-18 to 65) | °F (°C) |
| Storage temperature range | -60 to 185 (-50 to 85) | °F (°C) |
| Maximum safe central overload | 150 | % of R.C. |
| Ultimate central overload | 300 | % of R.C. |
| Excitation, recommended | 10 | VDC or VAC RMS |
| Excitation, maximum | 15 | VDC or VAC RMS |
| Input impedance | 380–450 | Ω |
| Output impedance | 349–355 | Ω |
| Insulation resistance at 50 VDC | >1000 | MΩ |
| Material | Nickel-plated alloy steel | |
| Environmental protection | IP65 | |

FSO—Full Scale Output

All specifications subject to change without notice.

www.ingematic.net

Disclaimer

ALL PRODUCTS, PRODUCT SPECIFICATIONS AND DATA ARE SUBJECT TO CHANGE WITHOUT NOTICE.

Vishay Precision Group, Inc., its affiliates, agents, and employees, and all persons acting on its or their behalf (collectively, "VPG"), disclaim any and all liability for any errors, inaccuracies or incompleteness contained herein or in any other disclosure relating to any product.

The product specifications do not expand or otherwise modify VPG's terms and conditions of purchase, including but not limited to, the warranty expressed therein.

VPG makes no warranty, representation or guarantee other than as set forth in the terms and conditions of purchase. **To the maximum extent permitted by applicable law, VPG disclaims (i) any and all liability arising out of the application or use of any product, (ii) any and all liability, including without limitation special, consequential or incidental damages, and (iii) any and all implied warranties, including warranties of fitness for particular purpose, non-infringement and merchantability.**

Information provided in datasheets and/or specifications may vary from actual results in different applications and performance may vary over time. Statements regarding the suitability of products for certain types of applications are based on VPG's knowledge of typical requirements that are often placed on VPG products. It is the customer's responsibility to validate that a particular product with the properties described in the product specification is suitable for use in a particular application. You should ensure you have the current version of the relevant information by contacting VPG prior to performing installation or use of the product, such as on our website at vpgsensors.com.

No license, express, implied, or otherwise, to any intellectual property rights is granted by this document, or by any conduct of VPG.

The products shown herein are not designed for use in life-saving or life-sustaining applications unless otherwise expressly indicated. Customers using or selling VPG products not expressly indicated for use in such applications do so entirely at their own risk and agree to fully indemnify VPG for any damages arising or resulting from such use or sale. Please contact authorized VPG personnel to obtain written terms and conditions regarding products designed for such applications.

Product names and markings noted herein may be trademarks of their respective owners.

Copyright Vishay Precision Group, Inc., 2014. All rights reserved.