

High Capacity Compression Load Cell

FEATURES

- Capacities 3–50 t
- Stainless steel housing
- Surge arrestors fitted
- Simple to install
- 0.02% total error
- 6 wire sense circuit
- Output tolerance 0.1%

APPLICATIONS

- Truck weighbridges
- Silo and hopper weighing
- Train “rail” scales
- Process weighing

DESCRIPTION

The Model 120 is a high capacity truck scale and silo load cell which is supplied complete with its own unique rocker mounting components.

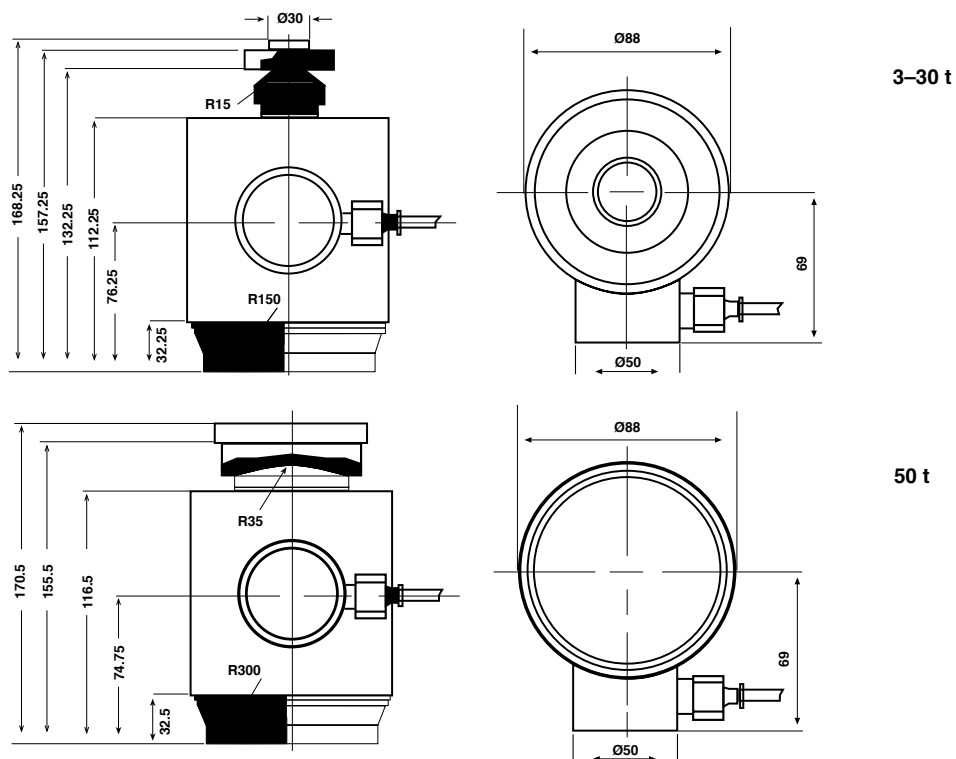
Suitable for all heavy duty weighing applications, the Model 120 gives the user high accuracy and low installation cost.



The Model 120 has a stainless steel housing to protect against corrosion. The alloy steel compression element is nickel-plated, and the rocker mounting accessories are zinc-plated alloy steel.

The two additional sense wires feed back the voltage reaching the load cell. Complete compensation of change in lead resistance, due to temperature change and/or cable extension, is achieved by feeding this voltage into the appropriate electronics.

OUTLINE DIMENSIONS in millimeters



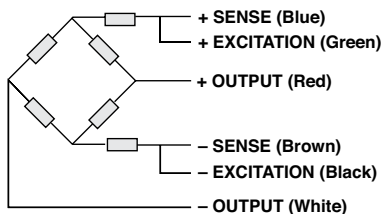
High Capacity Compression Load Cell

SPECIFICATIONS			
PARAMETER	VALUE		UNIT
Rated capacity—R.C. (E_{max})	3, 5, 10, 20, 30, 50		t
NTEP/OIML accuracy class	Non-Approved*		
Maximum no. of intervals (n)	1000	3000	
$Y = E_{max}/V_{min}$	2000	6000	
Rated output—R.O.	1.5		mV/V
Rated output tolerance	0.0015		±mV/V
Zero balance	0.15		±mV/V
Zero return, 30 min.	0.0500	0.0200	±% of applied load
Total error (per OIML R60)	0.0500	0.0200	±% of rated output
Temperature effect on zero	0.0100	0.0040	±% of rated output/°C
Temperature range, compensated	-10 to +40		°C
Temperature range, safe	-30 to +70		°C
Maximum safe central overload	150		% of R.C.
Ultimate central overload	200		% of R.C.
Excitation, recommended	10		VDC or VAC RMS
Excitation, maximum	24		VDC or VAC RMS
Input impedance	670±15		Ω
Output impedance	605±5		Ω
Insulation resistance	>2000		MΩ
Cable length	15		m
Cable type	6-wire, braided, polyurethane, dual floating screen		Standard
Construction	Stainless steel housing, plated alloy steel element		
Environmental protection	IP68		

* Typical 80% utilization

All specifications subject to change without notice.

WIRING SCHEMATIC DIAGRAM



www.ingematic.net

Disclaimer

ALL PRODUCTS, PRODUCT SPECIFICATIONS AND DATA ARE SUBJECT TO CHANGE WITHOUT NOTICE.

Vishay Precision Group, Inc., its affiliates, agents, and employees, and all persons acting on its or their behalf (collectively, "VPG"), disclaim any and all liability for any errors, inaccuracies or incompleteness contained herein or in any other disclosure relating to any product.

The product specifications do not expand or otherwise modify VPG's terms and conditions of purchase, including but not limited to, the warranty expressed therein.

VPG makes no warranty, representation or guarantee other than as set forth in the terms and conditions of purchase. **To the maximum extent permitted by applicable law, VPG disclaims (i) any and all liability arising out of the application or use of any product, (ii) any and all liability, including without limitation special, consequential or incidental damages, and (iii) any and all implied warranties, including warranties of fitness for particular purpose, non-infringement and merchantability.**

Information provided in datasheets and/or specifications may vary from actual results in different applications and performance may vary over time. Statements regarding the suitability of products for certain types of applications are based on VPG's knowledge of typical requirements that are often placed on VPG products. It is the customer's responsibility to validate that a particular product with the properties described in the product specification is suitable for use in a particular application. You should ensure you have the current version of the relevant information by contacting VPG prior to performing installation or use of the product, such as on our website at vpgsensors.com.

No license, express, implied, or otherwise, to any intellectual property rights is granted by this document, or by any conduct of VPG.

The products shown herein are not designed for use in life-saving or life-sustaining applications unless otherwise expressly indicated. Customers using or selling VPG products not expressly indicated for use in such applications do so entirely at their own risk and agree to fully indemnify VPG for any damages arising or resulting from such use or sale. Please contact authorized VPG personnel to obtain written terms and conditions regarding products designed for such applications.

Product names and markings noted herein may be trademarks of their respective owners.

Copyright Vishay Precision Group, Inc., 2014. All rights reserved.