

Self-Contained Weighing Module

FEATURES

- Capacities 3–90 kg
- Unique adjustable tare load cancelling mechanism
- Highly effective viscous damping
- 6 Built-in overload limit stops in three directions
- Weighing speed is much faster than standard load cell
- IP65 protection
- **Optional**
 - Stainless steel version
 - IP66 with additional breather tube
 - OIML and FM approvals available



DESCRIPTION

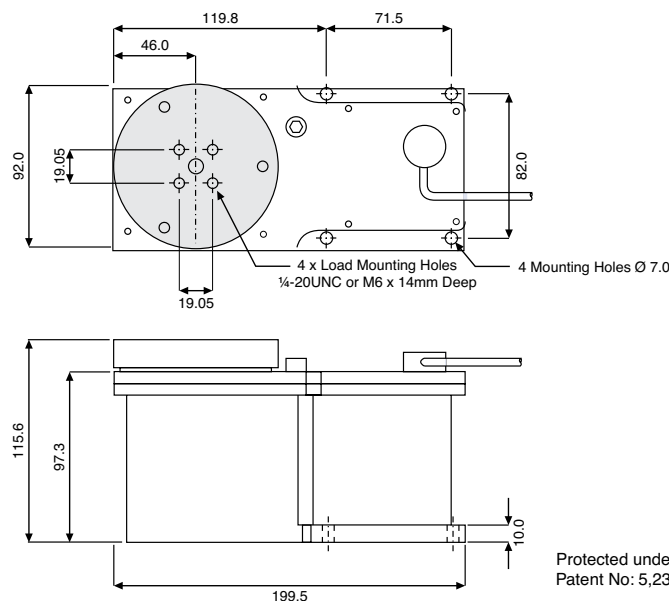
The Model 9010 is a self-contained weighing module for use in repeated shock-loading applications or where fast weighing and settling times are required, such as multihead weighers, check weighers and other static and dynamic weighing applications characterized by sudden or impact loading.

The Model 9010's unique fluid damping system allows the load cell to be used in applications that previously required the use of LVDT's or similar types of measuring devices.

The Model 9010 has a unique adjustable tare load cancellation feature which brings load cell adaptability into check weighing and grading applications.

The two additional sense wires feed back the voltage reaching the load cell. Complete compensation of changes in lead resistance, due to temperature change and/or cable extension, is achieved by feeding this voltage into the appropriate electronics.

OUTLINE DIMENSIONS in millimeters



Protected under U.S.
Patent No: 5,232,062

Self-Contained Weighing Module

HIGH PERFORMANCE DYNAMIC WEIGHING

The Weigh Module 9010 consists of a Tedeo-Huntleigh single-point load cell enclosed in an environmentally protected, electroless nickel-plated aluminum housing. The Module integrates load cell performance, viscous damping, an adjustable tare offset mechanism and overload protection.

LOAD CELL

Tedeo-Huntleigh's Model 1010, 1040 or 1140 single-point load cells can be used in the Model 9010. The capacities supported as standard are 3 kg to 90 kg; for higher capacities, consult VPG Transducers.

OVERLOAD PROTECTION

Model 9010 is equipped with built-in overload stops for positive (push), negative (pull) and twisting loads. These stops are factory adjusted for each specific application.

DAMPING

Model 9010 features a unique viscous damping technique originally developed and patented by Tedeo-Huntleigh, which provides:

- Faster settling time
- Higher weighing speeds
- Load cell protection (extended working life)

Damping parameters are factory set for each specific application.

TARE LOAD CANCELLING

Model 9010 features an adjustable tare load cancelling mechanism which provides a tare offset of up to 35 kg (in several ranges). The tare offset is factory set but may be adjusted by the user. This feature enables the use of a lower capacity load cell, resulting in electronic circuits with lower gains, lower noise, higher stability and lower temperature drifts.

An example for the power of tare cancelling:

Assume an application with 5 kg dead load and 2 kg (useful) load.

1. Without tare cancelling: Total load of 5+2 is 7 kg, therefore, a load cell with capacity of at least 10 kg has to be selected.
2. With tare cancelling: The 5 kg dead load can be opposed and effectively cancelled by the Tare Cancellation Mechanism, leaving a load of 2 kg only, hence a capacity of 3 kg can be selected.
3. Results: A capacity of 3 kg rather than of 10 kg is enabled by the Tare Cancellation feature for a gain of over 3 times in resolution and noise.

LOAD CELL LIFE

Because of the design and unique features of the Model 9010, the life of the load cell is increased substantially. For example, in one typical set of life tests, the undamped load cell failed after approximately 300,000 cycles. The damped load cell held without any significant deterioration for more than 300 million cycles. In this test a Model 1010 10-kg load cell was used. A dead load of 2.5 kg was mounted 150 mm from the mounting center. A 4.5 kg impact was applied at that point at a rate of 8 times/sec.

ENVIRONMENTAL PROTECTION

The load cell in the Model 9010 is completely enclosed in a rugged, electroless nickel-plated aluminium or stainless steel housing to withstand splashing. It is environmentally protected to IP65; a special "breather valve" allows atmospheric pressure equalization while excluding splashing liquids.

With an optional addition of a breather tube the protection is rendered IP66. A built-in shut-off valve is used for shipping.

SETTLING TIME

Settling time is the elapsed time from the instant of loading to the time the load cell's signal remains within the user specified accuracy. Settling time is affected by the following parameters:

1. Total mass on the module and it's distance from the mounting center
2. Impact loading characteristics
3. Environmental temperature change

For optimum performance, the above parameters must be specified by the user for each order.

Self-Contained Weighing Module

APPLICATION AND ORDER DATA

TO BE COMPLETED BY THE CUSTOMER

CUSTOMER'S NAME ORDER No.

CONTACT PERSON DATE

APPLICATION No. of UNITS

TOTAL TARE WEIGHT (DEAD LOAD)..... kg; FOR EACH UNIT..... kg

TOTAL USEFUL WEIGHT (LIVE LOAD)..... kg; FOR EACH UNIT..... kg

DESCRIBE LIVE LOAD (POWDER, FRUIT, SCREWS ETC)

REQUIRED SETTLING TIMEmsec; ACCURACY.....

OPERATING TEMPERATURE RANGE °C:

MOUNTING THREADS mm (6x1) inch (1/4 UNC)

PREFERRED LOAD CELL, IF ANY

1. CHECK WEIGHER (SEE SKETCH BELOW):

SIZE OF CONVEYOR PLATFORM:

WIDTH..... cm; A cm; B cm; C cm

SPEED OF BELT cm/sec; SIZE OF WEIGHED PRODUCT IN MOVEMENT DIRECTION..... cm

TARE WEIGHT DISTRIBUTION: CONVEYOR: kg; MOTOR:..... kg

2. HOPPER OR OTHER APPLICATION (SEE SKETCH BELOW):

CENTER OF GRAVITY (CofG) OF DEAD LO AD, (ESTIMATE IF NECESSARY): D..... cm; F cm

LOADING POSITION: D cm; F cm; DROP HEIGHT:..... cm

IF LOAD CofG VARIES, MAX DIST. BETWEEN EXTREMES

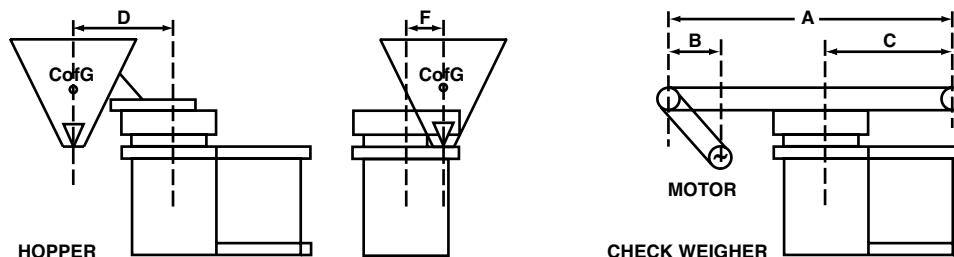
SPECIAL REQUIREMENTS

CABLE LENGTH IF NOT STANDARD (1 m) ; DELIVERY REQUESTED

CORNERS ACCURACY: TEST WIGHT (MAX. ALLOWED 1/3 OF LOAD CELL CAPACITY) kg

DISTANCE FROM CENTER cm VARIATION ALLOWED

DEFINITION OF LOADING POSITION RELATIVE TO 9010



Self-Contained Weighing Module

SPECIFICATIONS		
PARAMETER	VALUE	UNIT
Rated capacity—R.C.	3, 5, 7, 10, 15, 20, 30, 50, 90	kg
Accuracy class	G	
Maximum no. of intervals (n)	3000	
Rated output—R.O.	2.0	mV/V
Rated output tolerance	0.2	± mV/V
Total error*	0.030	±% of R.O.
Temperature effect on span*	0.002	±% of R.O./°C
Temperature effect on zero: load cell	0.004	±% of load/°C
Temperature effect on zero: buoyancy	0.15	+gr/°C rise
Temperature effect on zero: tare offset	0.25 x tare offset (kg)	+gr/°C rise
Temperature range - standard*	10 to 30	°C
Tare offset ranges	0 to 35	kg
Safe static overload		
downward at mounting center	800	% of R.C.
upward at mounting center	400	% of R.C.
200 mm in front or side of mounting center	200	% of R.C.
Settling time—typical	40–300	millisecond
Temperature effect on settling time	2	%/°C
Excitation, recommended	10	VDC or VAC RMS
Excitation, maximum	15	VDC or VAC RMS
Input impedance	415±15	Ω
Output impedance	350±5	Ω
Insulation resistance	>5000	MΩ
Weight	3	kg
Construction	Anodized body, electroless nickel plating**	
Environmental protection	IP65***	

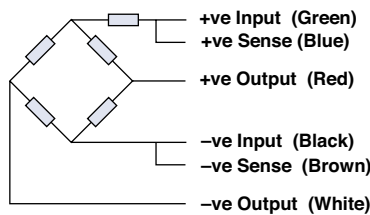
* Extended temperature ranges and smaller temperature effects are available upon request.

** Optional stainless steel coating available upon request.

*** IP66 available with additional breather tube.

All specifications are subject to change without notice.

Wiring Schematic Diagram



Disclaimer

ALL PRODUCTS, PRODUCT SPECIFICATIONS AND DATA ARE SUBJECT TO CHANGE WITHOUT NOTICE.

Vishay Precision Group, Inc., its affiliates, agents, and employees, and all persons acting on its or their behalf (collectively, "VPG"), disclaim any and all liability for any errors, inaccuracies or incompleteness contained herein or in any other disclosure relating to any product.

The product specifications do not expand or otherwise modify VPG's terms and conditions of purchase, including but not limited to, the warranty expressed therein.

VPG makes no warranty, representation or guarantee other than as set forth in the terms and conditions of purchase. **To the maximum extent permitted by applicable law, VPG disclaims (i) any and all liability arising out of the application or use of any product, (ii) any and all liability, including without limitation special, consequential or incidental damages, and (iii) any and all implied warranties, including warranties of fitness for particular purpose, non-infringement and merchantability.**

Information provided in datasheets and/or specifications may vary from actual results in different applications and performance may vary over time. Statements regarding the suitability of products for certain types of applications are based on VPG's knowledge of typical requirements that are often placed on VPG products. It is the customer's responsibility to validate that a particular product with the properties described in the product specification is suitable for use in a particular application. You should ensure you have the current version of the relevant information by contacting VPG prior to performing installation or use of the product, such as on our website at vpgsensors.com.

No license, express, implied, or otherwise, to any intellectual property rights is granted by this document, or by any conduct of VPG.

The products shown herein are not designed for use in life-saving or life-sustaining applications unless otherwise expressly indicated. Customers using or selling VPG products not expressly indicated for use in such applications do so entirely at their own risk and agree to fully indemnify VPG for any damages arising or resulting from such use or sale. Please contact authorized VPG personnel to obtain written terms and conditions regarding products designed for such applications.

Product names and markings noted herein may be trademarks of their respective owners.

Copyright Vishay Precision Group, Inc., 2014. All rights reserved.