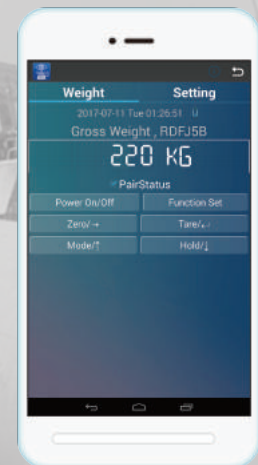




BLE LED Display



Broadcasting



Wireless remote control/display

Wireless connection options\*:  
Smart phone/tablet

- Bluetooth 4.0 and above
- Android 4.3 and above
- iOS 5 and above

\* Wireless connection options for non-approval model only

# FJ5 *IP66*

## Waterproof Crane Scale

# FJ5 IP66

## Waterproof Crane Scale

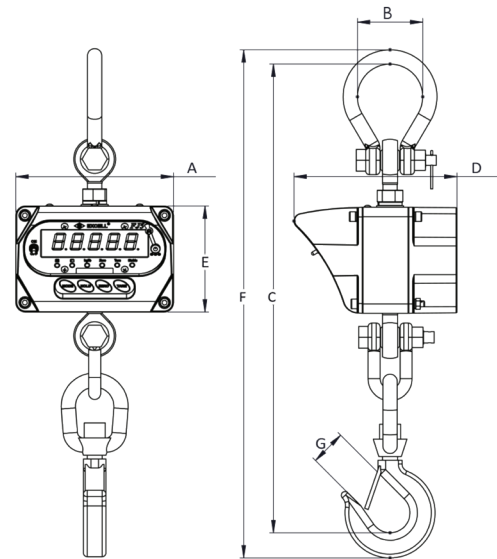
### Features:

- Meets the IK10 impact resistance rating and IP66 waterproof rating
- 360° rotatable crane hook design for better stability, safety, and accuracy (for 1T~5T approval models and 1T~3T non-approval models only)
- High brightness LED for easy reading
- Auto-zero tracking, quick zeroing speed to fully improve stability and efficiency
- 2 selectable units from kilograms(kg), pound(lb), and ton(T)
- Manual/auto/peak weight hold function and set point control function
- Protected circuit design to avoid battery damage
- Easy to replace rechargeable battery without disassembling the scale
- Rugged aluminum alloy construction
- Overload Safety Factor: Up to 600% for 1T ~ 5T; up to 350% for 7.5T or more
- Standard model comes with RF remote controller\* (up to 30m range)

\* Please avoid using RF Remote Controller and Wireless Remote Control/Display at the same time.

### Wireless option for non-approval models only:

- Wireless remote display/control with low standby power consumption (1 mA)
- Long operating distance about 70m
- Wireless connection options (choose one):  
PC, mobile device, or smart phone/tablet
- Broadcasting capability to large BLE LED Display



\* The sun visor not included



360° rotatable crane hook for 1T~5T approval models and 1T~3T non-approval models only



Rugged Alloy housing



Adjustable sun visor

### Accessory:

- Sun visor

### Specifications:

MODEL	CAPACITY	DIVISION	RESOLUTION
FJ5-1T	1T	0.5kg	1/2,000
FJ5-1.5T	1.5T	0.5kg	1/3,000
FJ5-2T	2T	1kg	1/2,000
FJ5-3T	3T	1kg	1/3,000
FJ5-5T	5T	2kg	1/2,500
FJ5-7.5T	7.5T	2kg	1/3,750
FJ5-10T	10T	5kg	1/2,000
FJ5-15T	15T	5kg	1/3,000
FJ5-20T	20T	10kg	1/2,000
FJ5-30T	30T	10kg	1/3,000

Operating Temperature: -10° C ~ 40° C (14 °F ~ 104°F)

Power Source: AC 100V ~ 240V ( ± 10% ) + DC 6V / 10AH rechargeable battery

### Dimensions ( All dimensions are in mm ) :

#### Approval Models

	*1T~3T	*5T	*7.5T	*10T	*15T	*20T	*30T
A	210	210	210	210	210	210	210
B	87	58	68	97	97	126	146
C	615	683	808	840	840	1033	1198
D	218	278	278	438	438	438	438
E	141	141	141	141	141	141	141
F	665	753	890	945	945	1150	1340
G	51	48	75	57	57	75	98

#### Non-approval Models

	*1T~3T	5T	7.5T	10T	15T
A	210	210	210	210	210
B	87	74	74	97	97
C	615	542	576	680	680
D	218	278	278	278	278
E	141	141	141	141	141
F	665	620	660	784	784
G	51	64	75	57	57

\* Up to IP66 waterproof and dustproof certification