

Miniature Bending Beam

FEATURES

- Capacities: 50, 100, 150, and 250 lbs
- Low profile for low-capacity scales
- Electroless nickel-plated alloy tool steel
- **Optional**
 - FM approval available

APPLICATIONS

- Silo/hopper/tank weighing
- Packaging machines
- Dosing/filling
- Belt scales/conveyor scales

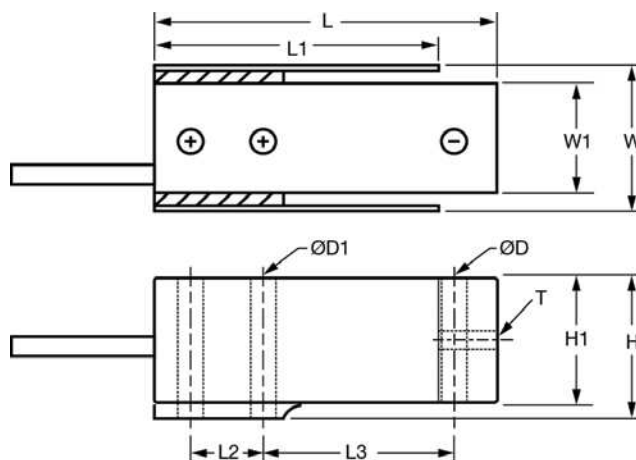
DESCRIPTION

The Model MBB is designed for low profile platform scales and tank scales in low capacities. It is constructed of high alloy tool steel which offers superior performance in creep characteristics and shock load capabilities over standard aluminum units.



The Model MBB is fully potted and sealed with special chemical compounds to IP66, providing excellent protection against moisture and humidity.

OUTLINE DIMENSIONS



Wiring

- + Excitation Red
- Excitation Black
- + Signal Green
- Signal White

**All Capacity
Cable Length: 5' / 1.5m**

| CAPACITY | | L | L ₁ | L ₂ | L ₃ | W | W ₁ | H | H ₁ | D ₁ | D | T |
|----------------------|--------|-------|----------------|----------------|----------------|------|----------------|------|----------------|----------------|-----------|-----------|
| 50/100/150 lbs | mm | 60.33 | 50 | 12.7 | 33.66 | 19.5 | 12.7 | 24.8 | 22.2 | 4.5 | 4.5 | - |
| | (inch) | 2.38 | 1.97 | 0.50 | 1.33 | 0.77 | 0.5 | 0.98 | 0.87 | 0.18 | 0.18 | |
| 250 lbs | mm | 60.33 | 50 | 12.7 | 33.66 | 25.4 | 19.05 | 24.8 | 22.2 | 4.5 | 4.5 | - |
| | (inch) | 2.38 | 1.97 | 0.50 | 1.33 | 1.00 | 0.75 | 0.98 | 0.87 | 0.18 | 0.18 | |
| 50/100/150 lbs OL | mm | 60.33 | 50 | 12.7 | 33.66 | 21 | 12.7 | 24.8 | 22.2 | 4.4 | 4.4 | - |
| | (inch) | 2.38 | 1.97 | 0.50 | 1.33 | 0.83 | 0.5 | 0.98 | 0.87 | 0.17 | 0.17 | |
| 100/250 lbs VT | mm | 60.33 | 50 | 12.7 | 33.66 | 25.4 | 19.05 | 24.8 | 22.2 | 6.8 | | - |
| | (inch) | 2.38 | 1.97 | 0.50 | 1.33 | 1.00 | 0.75 | 0.98 | 0.87 | 0.26 | 1/4-20UNF | |
| 100 lbs BCI | mm | 60.33 | 50 | 12.7 | 33.66 | 25.4 | 19.05 | 24.8 | 22.2 | 6.4 | 6.4 | - |
| | (inch) | 2.38 | 1.97 | 0.50 | 1.33 | 1.00 | 0.75 | 0.98 | 0.87 | 0.25 | 0.25 | |
| 250 lbs BCI | mm | 60.33 | 50 | 12.7 | 33.66 | 25.4 | 19.05 | 24.8 | 22.2 | 6.4 | 4.5 | - |
| | (inch) | 2.38 | 1.97 | 0.50 | 1.33 | 1.00 | 0.75 | 0.98 | 0.87 | 0.25 | 0.18 | |
| 250 lbs LT | mm | 60.33 | 50 | 12.7 | - | 25.4 | 19.05 | 24.8 | 22.2 | 4.4 | - | 1/4-28UNF |
| | (inch) | 2.38 | 1.97 | 0.50 | | 1.00 | 0.75 | 0.98 | 0.87 | 0.17 | | |

Miniature Bending Beam

| SPECIFICATIONS | | |
|---|---------------------------|-----------------------|
| PARAMETER | VALUE | UNIT |
| NTEP/OIML accuracy class | Non-Approved | |
| Maximum no. of intervals (n) | 3000 | |
| $Y = E_{max}/V_{min}$ | 5000 | Maximum available |
| Standard capacities (E_{max}) | 50, 100, 150, 250 | lbs |
| Rated output—R.O. | 3.0 | mV/V |
| Rated output tolerance | 10 | ±% of rated output |
| Zero balance | 1 | ±% of rated output |
| Non-linearity | 0.030 | ±% of rated output |
| Hysteresis | 0.030 | ±% of rated output |
| Non-repeatability | 0.020 | ±% of rated output |
| Creep error (20 minutes) | 0.030 | ±% of rated output |
| Zero return (20 minutes) | 0.030 | ±% of rated output |
| Temperature effect on min. dead load output | 0.0026 | ±% of rated output/°C |
| Temperature effect on sensitivity | 0.0015 | ±% of applied load/°C |
| Compensated temperature range | -10 to +40 | °C |
| Operating temperature range | -20 to +60 | °C |
| Safe overload | 150 | % of R.C. |
| Ultimate overload | 300 | % of R.C. |
| Excitation, recommended | 10 | VDC or VAC RMS |
| Excitation, maximum | 15 | VDC or VAC RMS |
| Input impedance | 385±5 | Ω |
| Output impedance | 350±3 | Ω |
| Insulation resistance | >5000 | MΩ |
| Construction | Nickel-plated alloy steel | |
| Environmental protection | IP66 | |

All specifications subject to change without notice.

FM Approval

Intrinsically Safe: Class I, II, III; Div. 1 Groups A-G
 Non-Incendive: Class I; Div. 2 Groups A-D

Disclaimer

ALL PRODUCTS, PRODUCT SPECIFICATIONS AND DATA ARE SUBJECT TO CHANGE WITHOUT NOTICE.

Vishay Precision Group, Inc., its affiliates, agents, and employees, and all persons acting on its or their behalf (collectively, "VPG"), disclaim any and all liability for any errors, inaccuracies or incompleteness contained herein or in any other disclosure relating to any product.

The product specifications do not expand or otherwise modify VPG's terms and conditions of purchase, including but not limited to, the warranty expressed therein.

VPG makes no warranty, representation or guarantee other than as set forth in the terms and conditions of purchase. **To the maximum extent permitted by applicable law, VPG disclaims (i) any and all liability arising out of the application or use of any product, (ii) any and all liability, including without limitation special, consequential or incidental damages, and (iii) any and all implied warranties, including warranties of fitness for particular purpose, non-infringement and merchantability.**

Information provided in datasheets and/or specifications may vary from actual results in different applications and performance may vary over time. Statements regarding the suitability of products for certain types of applications are based on VPG's knowledge of typical requirements that are often placed on VPG products. It is the customer's responsibility to validate that a particular product with the properties described in the product specification is suitable for use in a particular application. You should ensure you have the current version of the relevant information by contacting VPG prior to performing installation or use of the product, such as on our website at vpgsensors.com.

No license, express, implied, or otherwise, to any intellectual property rights is granted by this document, or by any conduct of VPG.

The products shown herein are not designed for use in life-saving or life-sustaining applications unless otherwise expressly indicated. Customers using or selling VPG products not expressly indicated for use in such applications do so entirely at their own risk and agree to fully indemnify VPG for any damages arising or resulting from such use or sale. Please contact authorized VPG personnel to obtain written terms and conditions regarding products designed for such applications.

Product names and markings noted herein may be trademarks of their respective owners.

Copyright Vishay Precision Group, Inc., 2014. All rights reserved.